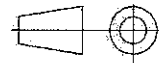
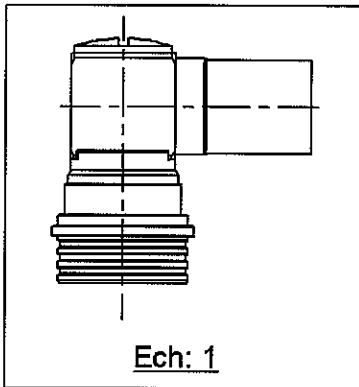
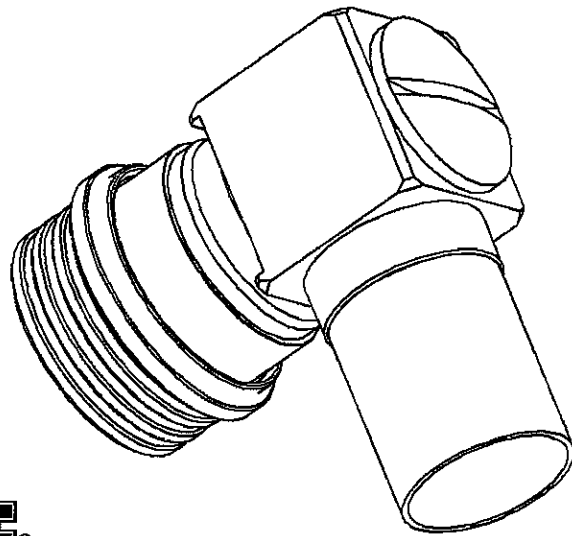
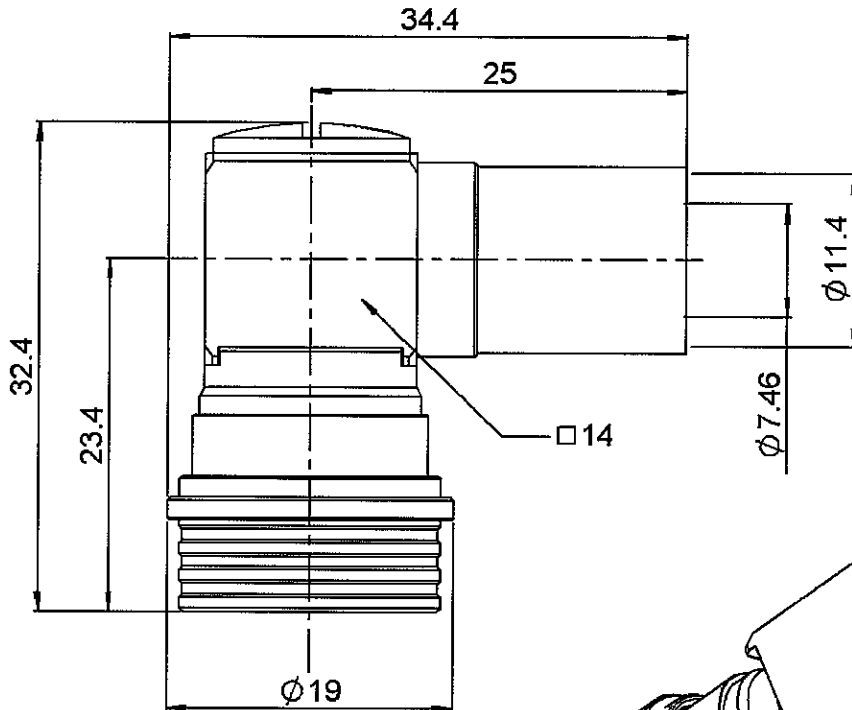


**RIGHT ANGLE PLUG CRIMP TYPE**

**R164.186.000**

**CABLE 11/50 D**

Series : QN



All dimensions are in mm.

COMPONENTS	MATERIALS	PLATINGS (µm)
BODY	BRASS	BBR 0.5 OVER SILVER 3
CENTER CONTACT	BRASS	SILVER 5 PASSIVATED OVER COPPER 0.5
OUTER CONTACT	BERYLLIUM COPPER	GOLD 0.3 OVER CHEMICAL NICKEL
INSULATOR	PTFE	
GASKET	EPDM	
OTHERS PARTS	BRASS	BBR 2
-	-	-
-	-	-

Issue : 0519 D

In the effort to improve our products, we reserve the right to make changes judged to be necessary.



**RIGHT ANGLE PLUG CRIMP TYPE**

**R164.186.000**

**CABLE 11/50 D**

Series : QN

**PACKAGING**

Standard	Unit	Other
50	'W' option	Contact us

**SPECIFICATION**

**ELECTRICAL CHARACTERISTICS**

Impedance		<b>50</b> Ω
Frequency		<b>*0-6</b> GHz
VSWR	<b>1.05 +</b>	<b>0.025</b> x F(GHz) Maxi
Insertion loss		<b>0.07</b> √F(GHz) dB Maxi
RF leakage	<b>- (</b>	<b>**</b> - F(GHz) dB Maxi
Voltage rating		<b>1000</b> Veff Maxi
Dielectric withstanding voltage		<b>2500</b> Veff mini
Insulation resistance		<b>5000</b> MΩ mini

**CABLE ASSEMBLY**

Stripping	a	b	c	d	e	f
mm	2.50	10.0	21.9	0.00	19.4	0.00

Assembly instruction : **Crimp 07**

Recommended cable(s)  
 RG 214  
 KX 13  
 RG 225

Characteristics indicated on this data sheet are those that can be achieved with the highest performance cable. Intrinsic limitations of the cable may diminish the performance of the assembly

Cable retention

- pull off **300** N mini  
 - torque **NA** N.cm

**MECHANICAL CHARACTERISTICS**

Center contact retention		
Axial force – Mating end	<b>27</b>	N mini
Axial force – Opposite end	<b>27</b>	N mini
Torque	<b>NA</b>	N.cm mini

**TOOLING**

Part Number	Description	Hexagon
.	.	.
R282.231.000	CRIMPING TOOL	10.54
R282.235.116	CRIMPING DIES	10.54
R282.293.000	CRIMPING TOOL	

Recommended torque		
Mating		N.cm
Panel nut		N.cm
Clamp nut		N.cm
A/F clamp nut	<b>0.000</b>	mm

Mating life	<b>100</b>	Cycles mini
Weight	<b>38.000</b>	g

**OTHERS CHARACTERISTICS**

\* Usable 0-11  
 \*\*Connector only : -90dB min DC<F<3GHz  
 PIM3: -112dBm (2x20W at 1.8GHz)  
 \*\*\*-80dB 3<F<6GHz

**ENVIRONMENTAL**

Operating temperature	<b>-55/+125</b>	°C
Hermetic seal		Atm.cm3/s
Panel leakage		

Issue : 0519 D

In the effort to improve our products, we reserve the right to make changes judged to be necessary.



**RADIALL®**